

IMAGE A

1- Fix to lift frame to the right and left module.15 mm from front and min.610 mm from top (IMAGE A).

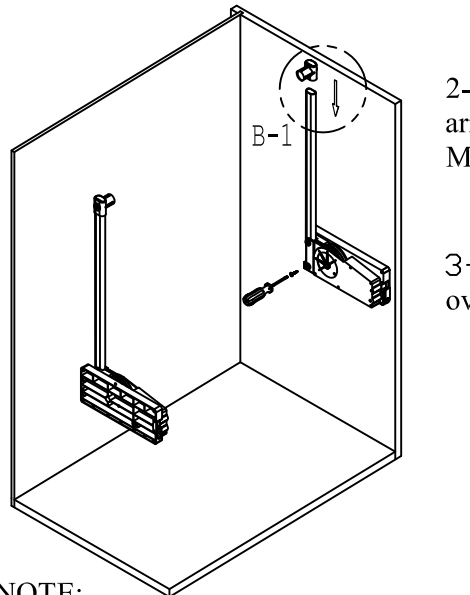


IMAGE B

2- Fix to oval profile on arm channel with M6x300 screw (IMAGE B).

3- Fit to side tube caps on oval profile ( B-1 ).

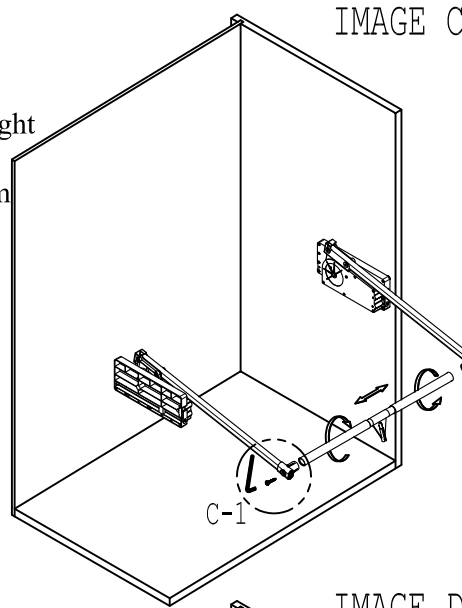
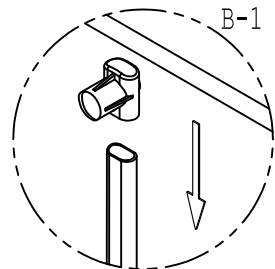


IMAGE C

4- Pull to oval profile front. Pull to front oval profile (IMAGE C).

5- Then,combine telescopic middle tube to pulling tube with caps by screwing (C-1).

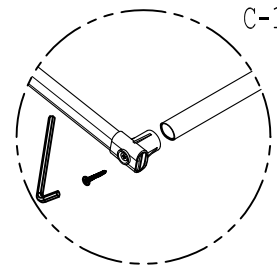


IMAGE D

6- Fit to pulling arm on T items channel upon telescopic tube (IMAGE D).

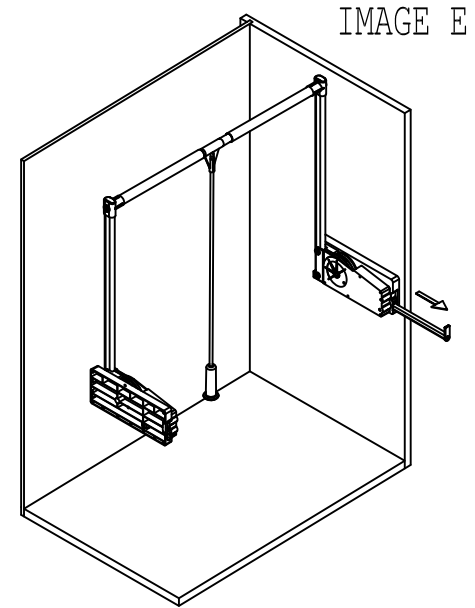


IMAGE E

7- Then you make right pulling arm and mechanism (IMAGE E).

You must check work of mechanism.

**NOTE:**

Lift for wardrobe loading capacity is 10 kg.  
Works light must be min.80 cm max.115 cm.

MOUNTING PARTS

NO	PART NAME	PCS.
1	LIFT FRAME	2
2	OVAL PROFILE	2
3	SLIDE TUBE COVER	2
4	TELESCOPIC MIDDLE TUBE	1
5	PLASTIK T PART	1
6	PULLING ARM	1
7	CHIPBOARD SCREW 3,5x35	12
8	CHIPBOARD SCREW Ø8x65	2
9	BOLD M6x30	4
10	ALLEN KEY 4 mm	1