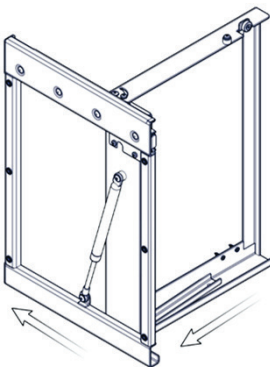
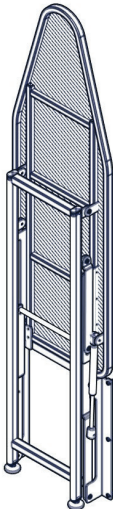
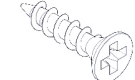
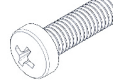


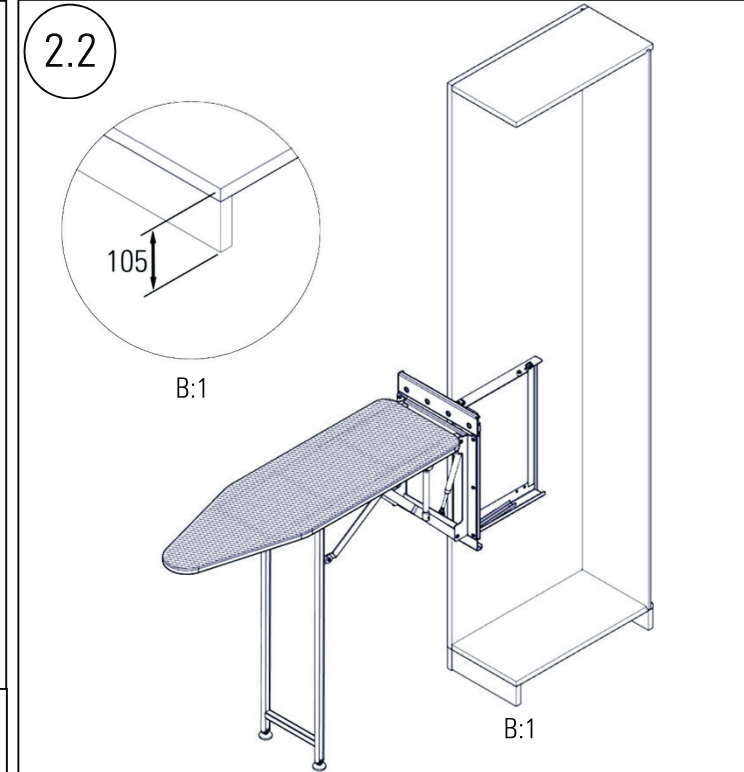
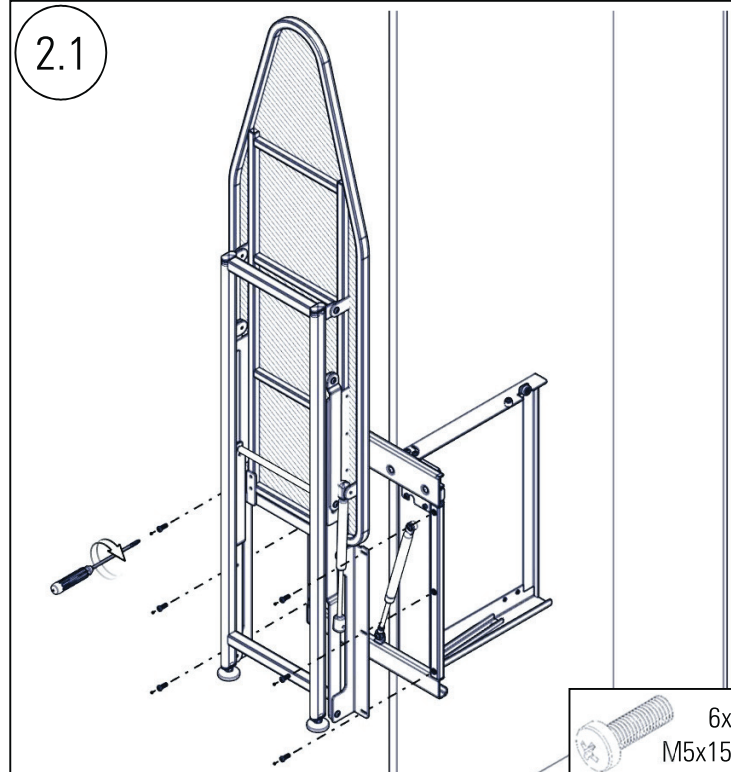
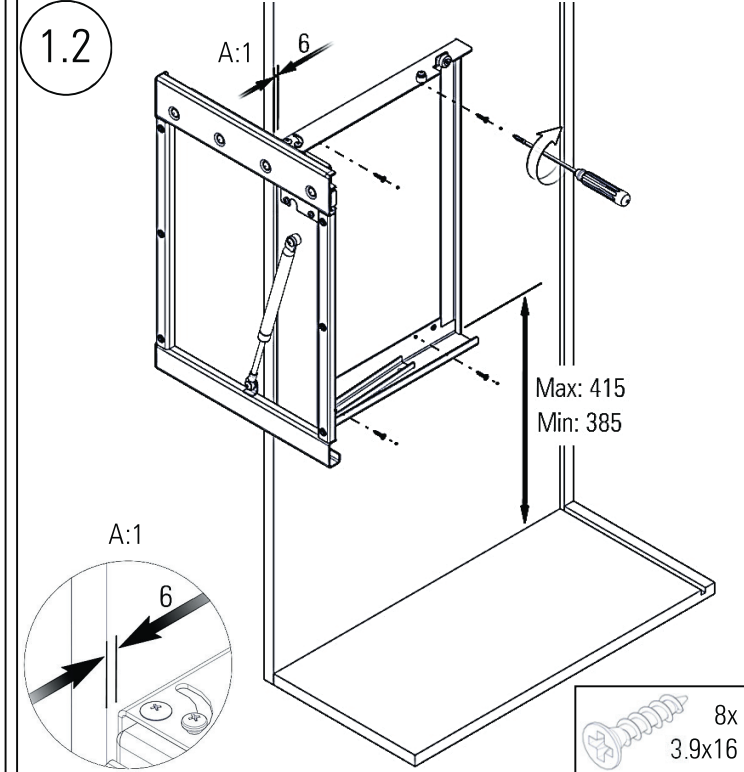
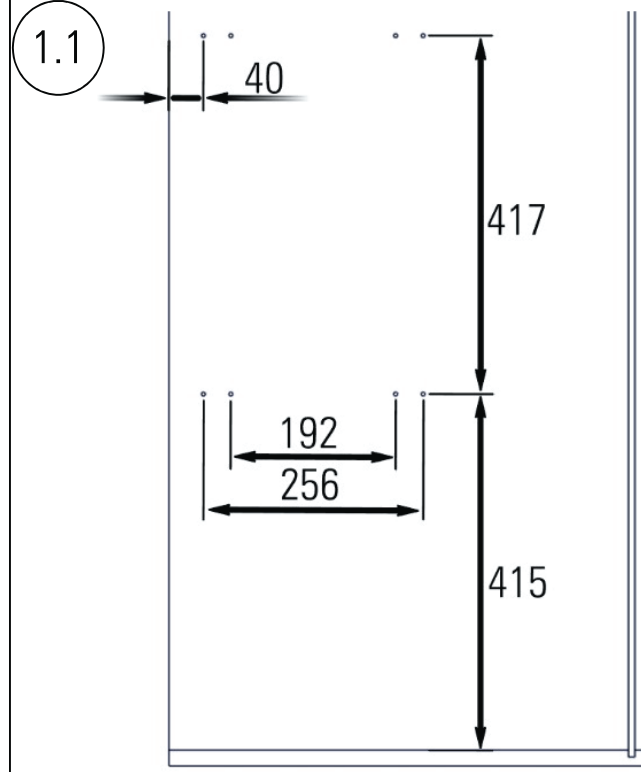
STARAX®

• ÜTÜ MASASI MONTAJ ŞEMASI (SOL)

• IRONING BOARD MOUNTING INSTRUCTIONS (LEFT)

KULLANILAN PARÇALAR ITEMS PART

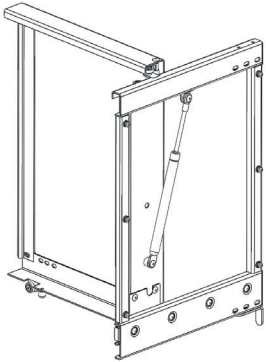
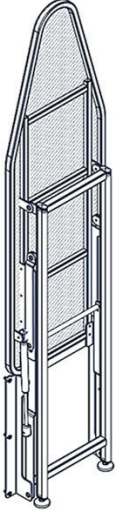
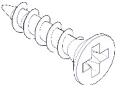
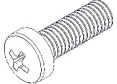
NO	PARÇA RESİM / PART DRAWING	ADET PCS.
1		1
2		1
3		8
4		6



STARAX®

- ÜTÜ MASASI MONTAJ ŞEMASI (SAĞ)
- IRONING BOARD MOUNTING INSTRUCTIONS (RIGHT)

KULLANILAN PARÇALAR ITEMS PART

NO	PARÇA RESİM / PART DRAWING	ADET PCS.
1		1
2		1
3		8
4		6

UNICERT
ISO 9001:2015

