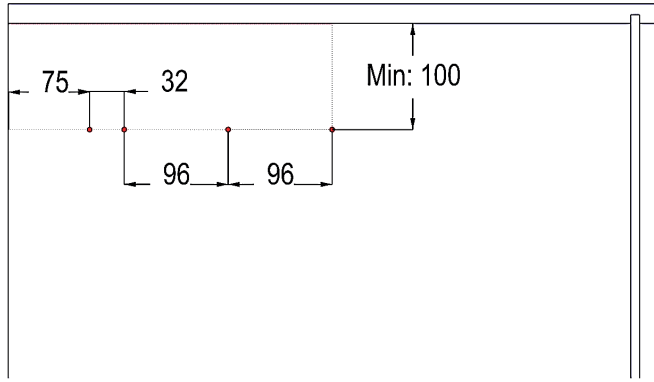
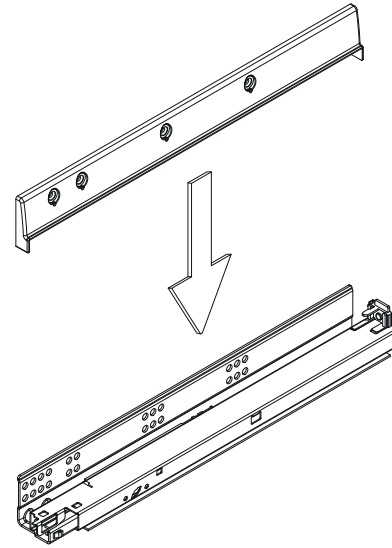


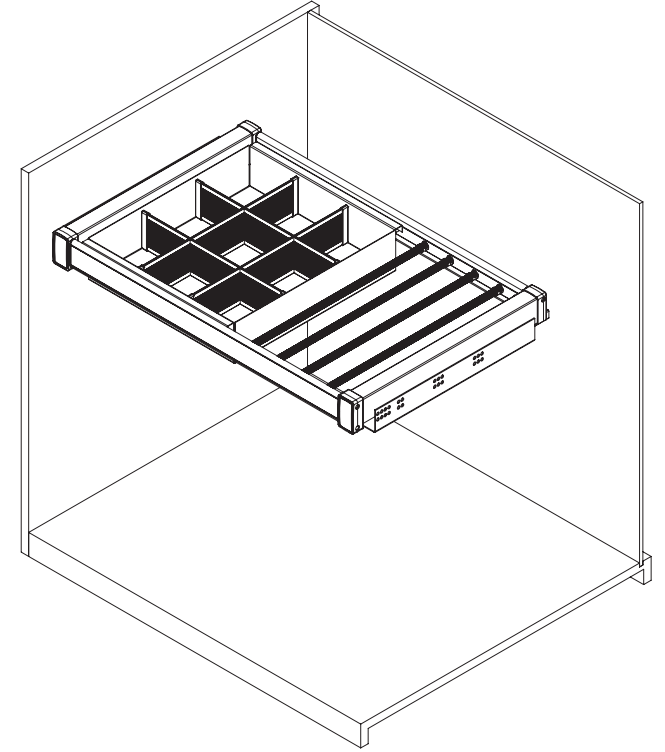
A-1



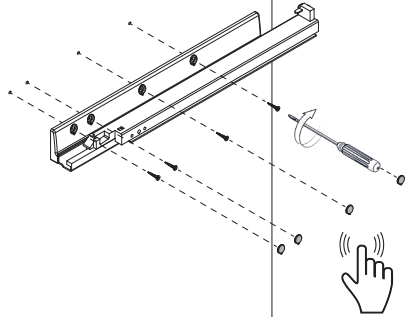
B-1



E-1



C-1



8x
Cover

8x
3,5x16

D-1

